



## LED TRACK LIGHTING SYSTEM



by  UTechnology

Engineered Lighting Solutions



## LED TRACK LIGHTING SYSTEM



*Rhythm Elite with  
mono point connection*

### LED Track Lighting with Endless Versatility

Introducing the Rhythm Elite LED Track Lighting System. Engineered to combine beautiful and powerful lighting with the flexibility and mobility of a track lighting system, all in one sleek minimalist design. This is a complete family offering both the track head fixtures, the matching track systems, and accessories.

### Why choose the Rhythm Elite family of products?

- A complete engineered solution for your lighting projects: Track Heads and Track System with accessories
- Three luminaire sizes in two trim colors and 4 CCT options for endless versatility
- Up to 1,024 different product configurations
- Complimentary Rhythm Elite Cylinders are now available



ARCHITECTURAL



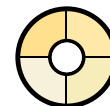
TRIAC DIMMING



HIGH CRI



2 TRIM OPTIONS



4 CCT OPTIONS

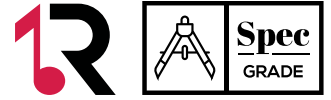


QUICKSHIP

Please inquire about our Quickship Program

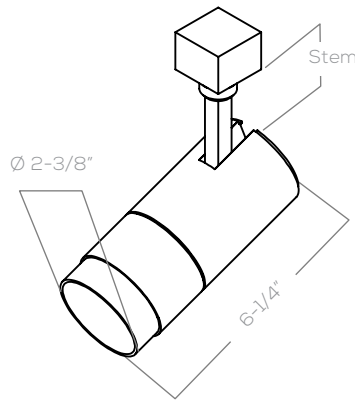
# RHYTHM ELITE

LED TRACK LIGHTING SYSTEM | ARCHITECTURAL | TRACK HEAD SPECIFICATIONS

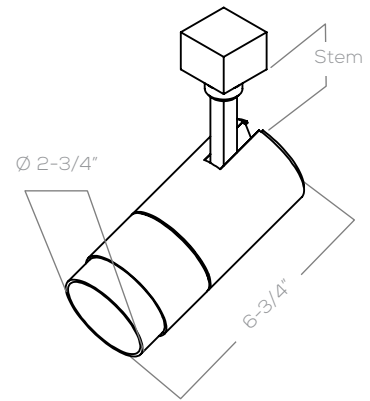


## STANDARD LUMEN PACKAGE

### 15W RHYTHM:



### 20W RHYTHM:



<b>Input Voltage</b>	120-277VAC	120-277VAC
<b>Power Consumption</b>	15W	20W
<b>Delivered Lumens</b>	1,350 Lm ± 10%	1,800 Lm ± 10%
<b>Projector Dimensions</b>	Ø 2-3/8" x 6-1/4"	Ø 2-3/4" x 6-3/4"
<b>Stem Length</b>	Vertical 3/4"   Horizontal 2"	Vertical 3/4"   Horizontal 2"
<b>Weight</b>	1.25lbs	1.45lbs

All dimensions are approximate, please acquire product sample(s) for exact size / IES and Revit files are available at [utechnology.ca](http://utechnology.ca)

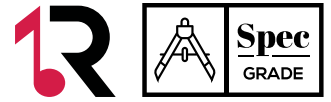
## GENERAL SPECIFICATIONS:

<b>Dimming</b>	120-277V TRIAC	<b>Construction</b>	Aluminum
<b>CCT</b>	2700K   3000K   3500K   4000K	<b>Optics Technology</b>	Total Internal Reflection (TIR) UGR <16
<b>Finish</b>	Black (RAL 9005)   White (RAL 9003)	<b>Temperature Rating</b>	10°C to +40°C
<b>CRI</b>	+90   +95   R9 +55	<b>Warranty</b>	5 years*
<b>Beam Angles</b>	15°   25°   40°   60°	<b>Certification</b>	cETL Listed to CSA Standards, ETL, CE, FCC, RoHs , LM70 >100,000 hrs
<b>Rotation</b>	350° Lateral   90° Vertical	<b>Connection Types</b>	3 conductor single-circuit Halo compatible Mono point connection using canopy & j-box
<b>Rating</b>	Dry Location (IP20)		

\* Must meet U Technology's Terms and Conditions.

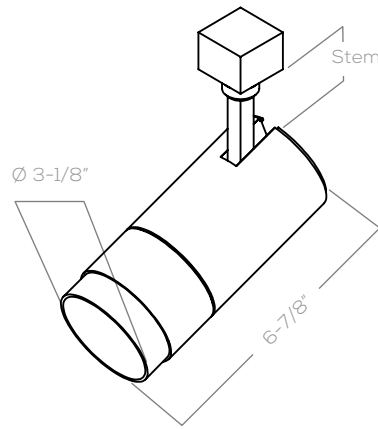
# RHYTHM ELITE

LED TRACK LIGHTING SYSTEM | ARCHITECTURAL | TRACK HEAD SPECIFICATIONS

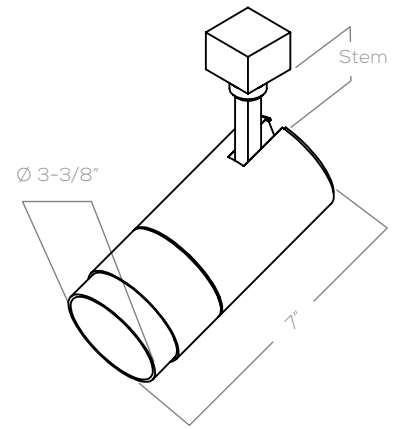


**HIGH  
LUMEN PACKAGE**

## 30W RHYTHM:



## 35W RHYTHM:



<b>Input Voltage</b>	120-277VAC	120-277VAC
<b>Power Consumption</b>	30W	35W
<b>Delivered Lumens</b>	2,700 Lm ± 10%	3,300 Lm ± 10%
<b>Projector Dimensions</b>	Ø 3-1/8" x 6-7/8"	Ø 3-3/8" x 7"
<b>Stem Length</b>	Vertical 1-1/4"   Horizontal 2"	Vertical 1-1/4"   Horizontal 2"
<b>Weight</b>	1.65lbs	1.80lbs

All dimensions are approximate, please acquire product sample(s) for exact size / IES and Revit files are available at [utechnology.ca](http://utechnology.ca)

## GENERAL SPECIFICATIONS:

<b>Dimming</b>	120-277V TRIAC	<b>Construction</b>	Aluminum
<b>CCT</b>	2700K   3000K   3500K   4000K	<b>Optics Technology</b>	Total Internal Reflection (TIR) UGR <16
<b>Finish</b>	Black (RAL 9005)   White (RAL 9003)	<b>Temperature Rating</b>	10°C to +40°C
<b>CRI</b>	+90   +95   R9 +55	<b>Warranty</b>	5 years*
<b>Beam Angles</b>	15°   25°   40°   60°	<b>Certification</b>	cETL Listed to CSA Standards, ETL, CE, FCC, RoHs , LM70 >100,000 hrs
<b>Rotation</b>	350° Lateral   90° Vertical	<b>Connection Types</b>	3 conductor single-circuit Halo compatible Mono point connection using canopy & j-box
<b>Rating</b>	Dry Location (IP20)		

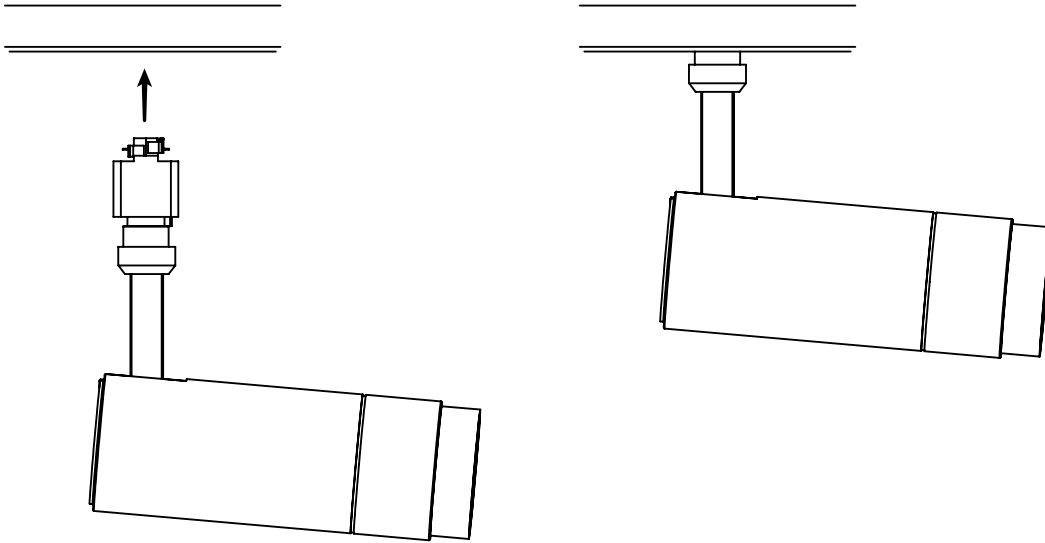
\* Must meet U Technology's Terms and Conditions.

# RHYTHM ELITE

LED TRACK LIGHTING SYSTEM | ARCHITECTURAL | CONNECTION TYPES



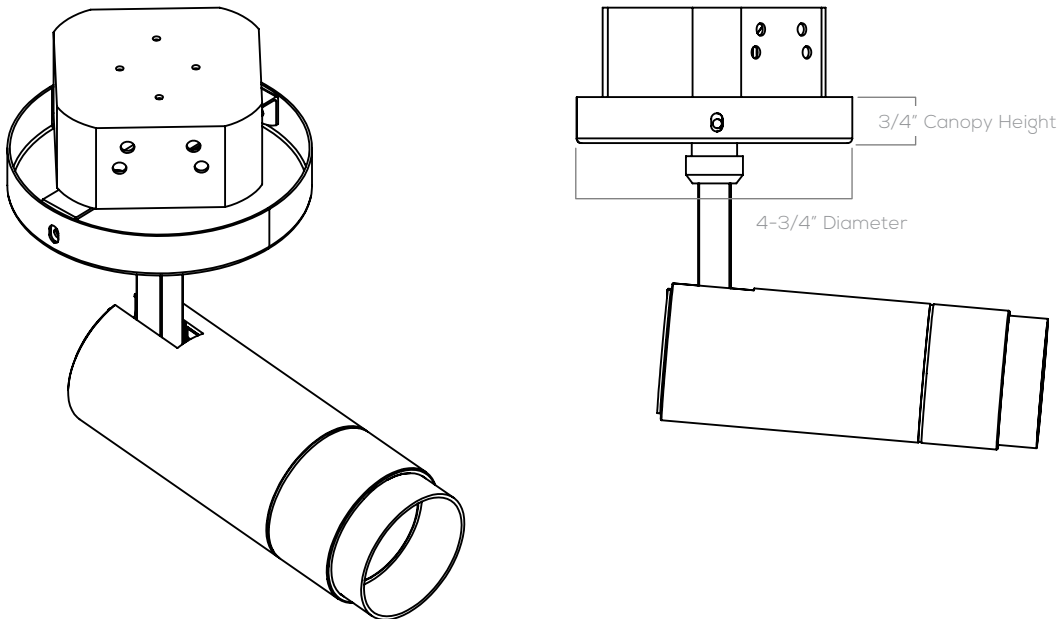
## 1. HALO CONNECTION USING TRACK AND QUICK CONNECT



## 2. MONO POINT CONNECTION USING CANOPY AND J-BOX

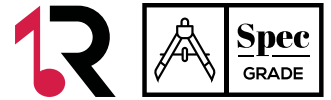
Ø 4-3/4" x H 3/4" | Canopy Mono Point Compatible with elite protectors

Mount using standard 4" octagon junction box



# RHYTHM ELITE

LED TRACK LIGHTING SYSTEM | ARCHITECTURAL | TRACK HEAD ORDER FORM



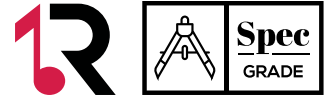
<b>Project Name:</b>	
<b>Quantity:</b>	<b>Type:</b>
<b>Part #*:</b>	

*\*To use automatically generated Part#: Highlight - Copy - Paste*

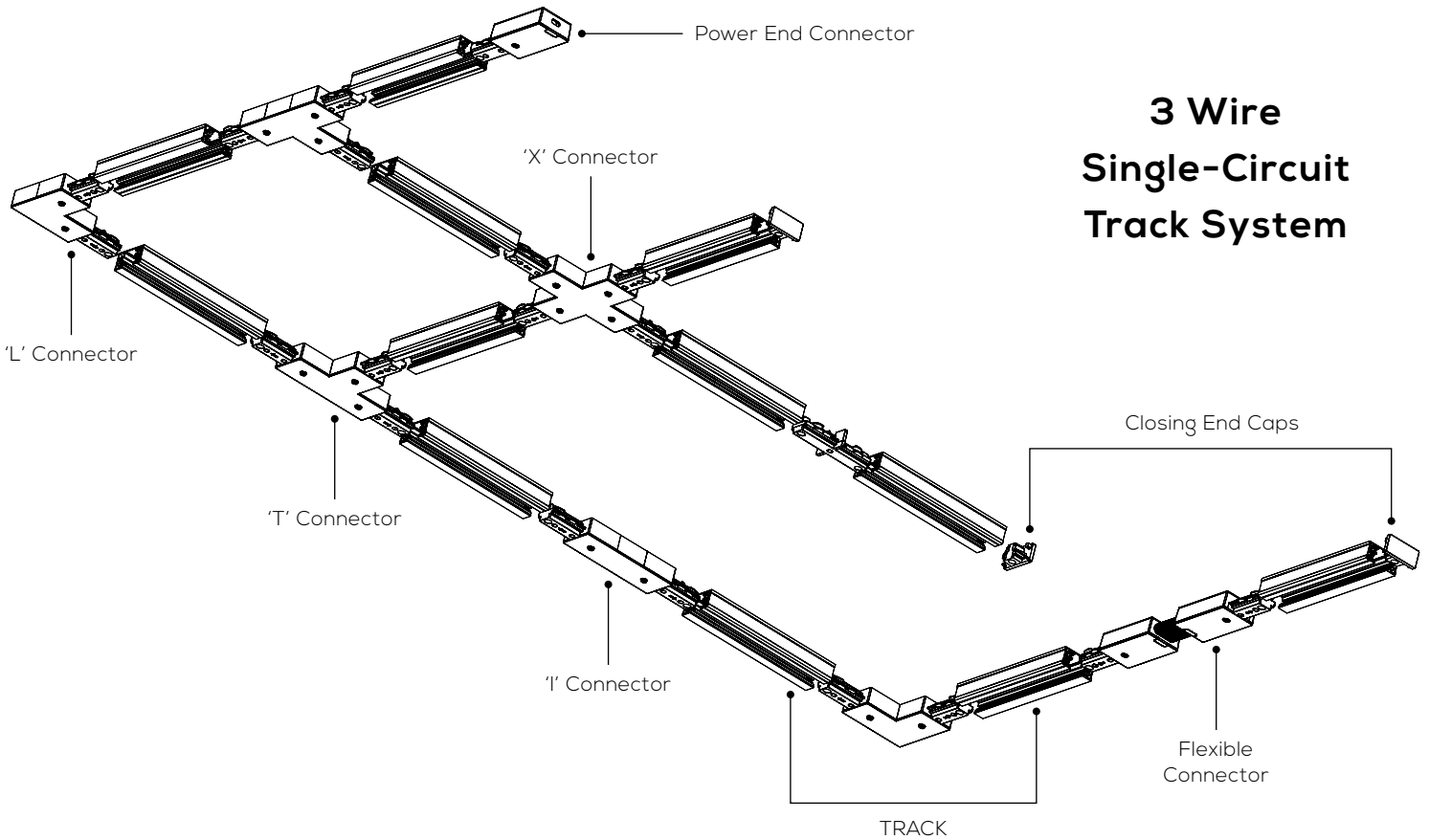
<b>1 POWER:</b>	<b>15W:</b> 1,350 Lm	<b>20W:</b> 1,800 Lm	<b>30W:</b> 2,700 Lm	<b>35W:</b> 3,300 Lm
<b>2 BEAM ANGLE:</b>	<b>15D:</b> 15°	<b>25D:</b> 25°	<b>40D:</b> 40° (default)	<b>60D:</b> 60°
<b>3 CCT:</b>	<b>27K:</b> 2700K	<b>30K:</b> 3000K	<b>35K:</b> 3500K	<b>40K:</b> 4000K
<b>4 CRI:</b>	<b>90:</b> CRI +90	<b>95:</b> CRI +95		
<b>5 FINISH COLOR:</b>	<b>BK:</b> Black (RAL 9005)		<b>WH:</b> White (RAL 9003)	
<b>6 CONNECTION:</b>	<b>HL:</b> 3 Conductor Single-Circuit Halo Track Compatible		<b>MP:</b> Round Canopy Mono Point (via standard 4" octagon junction box)	
<b>7 OPTIONS:</b>	<b>HC:</b> Honeycomb Optics		<b>ID:</b> Individual Manual Dimming	
<b>ADDITIONAL OPTICS:</b> Quantity of additional interchangeable TIR optics	<b>15°</b>	<b>25°</b>	<b>40°</b>	<b>60°</b>

# RHYTHM ELITE

LED TRACK LIGHTING SYSTEM | ARCHITECTURAL | TRACK AND ACCESSORIES



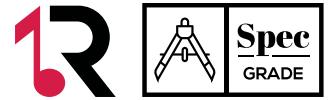
# RHYTHM ELITE



## 3 Wire Single-Circuit Track System

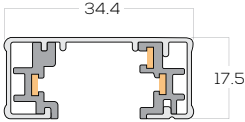
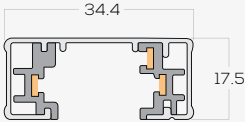
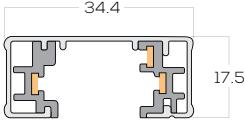
# RHYTHM ELITE

LED TRACK LIGHTING SYSTEM | ARCHITECTURAL | TRACK ORDER FORM



## 3 CONDUCTOR SINGLE-CIRCUIT TRACK

(All measurements are in mm)

Description	Dimensions	Model #	Quantity
2 ft Track	 L = 2 ft	UT-RT-2FT WH: White BK: Black	
4 ft Track	 L = 4 ft	UT-RT-4FT WH: White BK: Black	
8 ft Track	 L = 8 ft	UT-RT-8FT WH: White BK: Black	

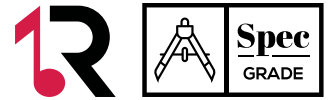
## RHYTHM ELITE CIRCUIT RATING:

Electrical Design Specifications			Max # of Track Heads / Circuit			
Voltage (AC)	Current (A)	Power (W)	15W	20W	30W	35W
120	20	2,400	160	120	80	60
230	16	3,680	240	180	120	100

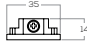

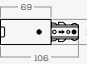

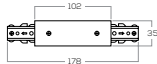

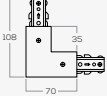

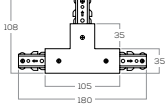

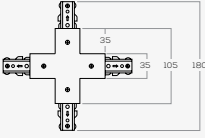

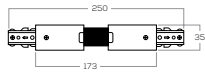

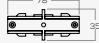



# RHYTHM ELITE

LED TRACK LIGHTING SYSTEM | ARCHITECTURAL | ACCESSORIES ORDER FORM



## 3 CONDUCTOR SINGLE-CIRCUIT TRACK (All measurements are in mm)

Description	Dimensions	Model #	Quantity
Closing End-Cap	 	UT-RT-EC WH: White BK: Black	
Power End Connector	 	UT-RT-PS WH: White BK: Black	
"I" Connector	 	UT-RT-ICS WH: White BK: Black	
"L" Connector	 	UT-RT-LC WH: White BK: Black	
"T" Connector	 	UT-RT-TC WH: White BK: Black	
"X" Connector	 	UT-RT-XC WH: White BK: Black	
Flexible Connector	 	UT-RT-FC WH: White BK: Black	
Mini "I" Connector	 	UT-RT-IC WH: White BK: Black	

## WIRING DIAGRAM

