

## WARRANTY:

### 5-YEAR WARRANTY.

If this product fails to perform as intended due to defect within five years from the date of purchase, return it to the place of purchase and it will be replaced, free of charge. Incidental or consequential damages are excluded from the warranty.

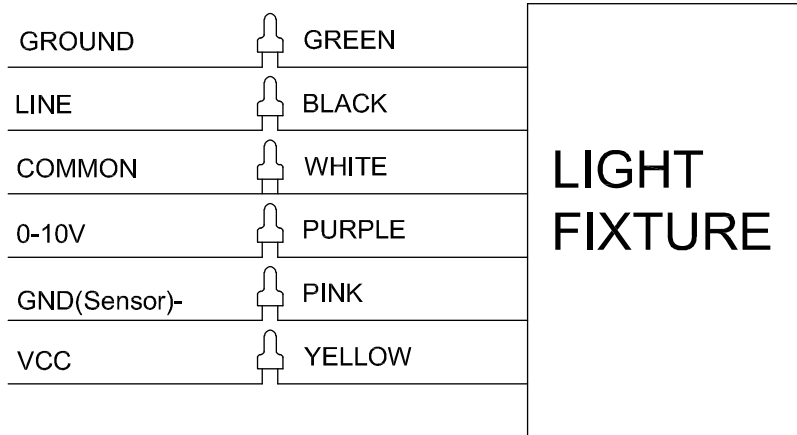
### WIRING INSTRUCTION

**WARNING: TURN OFF POWER BEFORE CONNECTING WIRES.**

Black wire connect to L, White wire connect to N, Green wire connect to GROUND.

For 0-10V dimming, the wiring direction as below:

1. Turn off the power.
  2. Connect the BLACK wire with the LINE.
  3. Connect the WHITE wire with the COMMON.
  4. Connect the GREEN wire with the GROUND.
- Caution: DO NOT connect the GRAY (-)DIM Vwire with GROUND.
5. Connect the PURPLE wire with the 0-10V.
  6. Connect the GARY wire with the GND(Sensor).
  7. Connect the YELLOW wire with the VCC.



# UT-LLS Series

## SAFETY INSTRUCTION:

1. This fixture must be wired in accordance with the national electrical code and applicable local codes and ordinances.
2. Proper grounding is required to insure personal safety. Carefully observe the correct grounding procedure under installation section.
3. Make sure to power off before installing or conduct maintenance.
4. Check that input voltage is compatible with fixture driver, use approved connectors for all electrical connections.

**IMPORTANT: READ CAREFULLY BEFORE INSTALLING FIXTURE.**

## CLEANING:

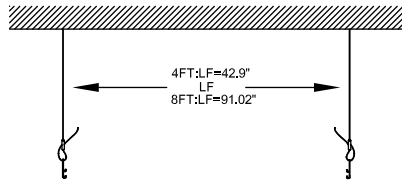
1. Before touching fixture, make sure the fixture has cooled.
2. Do not clean or maintain the fixture while energized.
3. Clean lens & fixture with non-abrasive glass cleaning solution.
4. Do not open fixture to clean and touch LED chips.

## MAINTENANCE CAUTION:

1. Review the diagrams before beginning, and make sure the fixture is grounded properly.
2. Turn the power off and wait for the fixture to cool before handling.
3. This fixture has to be installed or maintained in accordance with the application code by a professional person who familiar with the construction and operation of the product and the hazards involved.

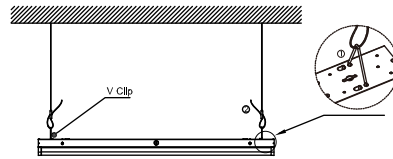
## A: Suspension Mount

Step 1: Fix the hooks and suspending the lamp.

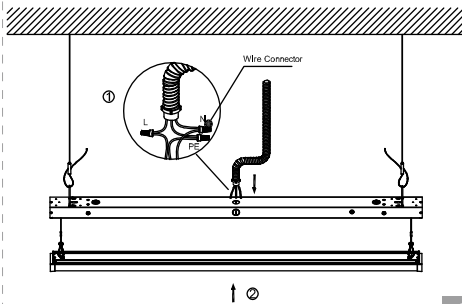


1 2

Step 2: Attach the V-Clip to holes on each end of the fixture housing (Figure 1). Adjusting the cable length (Figure 2).

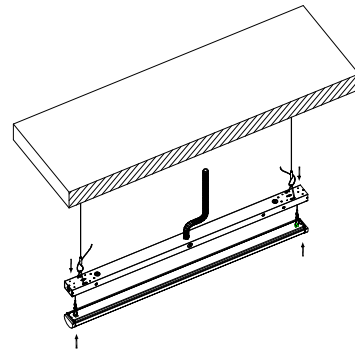


Step 3: Turn off the power and make connections using wire nuts (Figure 1). Insert the terminal block and wires into the lamp housing (Figure 2).

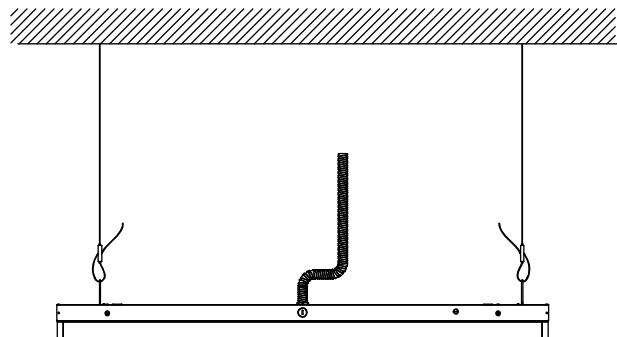


3 4

Step 4: Press upward on the cover and lock it



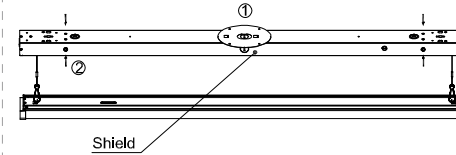
Step 5: The installation is complete.



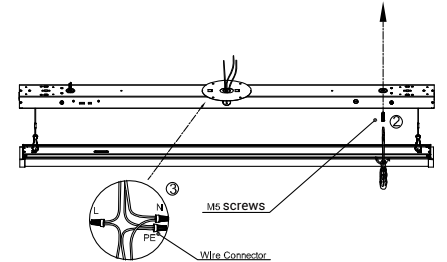
5

## B: Surface Mount

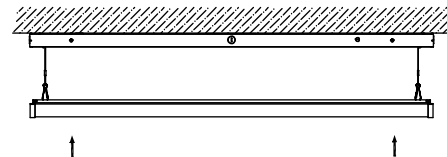
Step 1: Setp 1: Install the shield  
2: Press the snap button to open the PC cover



Step 2: 1. Turn off the power and pass the AC wire through the shield  
2. Fix the lamp on the top of the wall with M5 self-tapping screws  
3. Connect the AC wire of the power supply to the fixture



Step 3: Press upward on the cover and lock it



Step 4: The installation is complete.



3 4