



PRECAUTIONS PRIOR TO BEGINNING INSTALLATION:

This product should ONLY be installed by a licensed electrician. SAFETY is #1. Assess any risk of electrical shock.



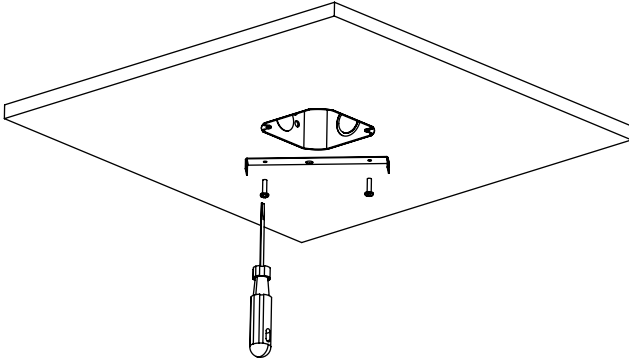
IMPORTANT SAFETY INFORMATION:

- WARNING: RISK OF SHOCK** - Building electrical current can cause painful shock or serious injury unless handled properly. For your safety, always remember to:
 - Turn OFF the power supply at the fuse or circuit breaker box before you install any luminaire.
 - Ground the fixture to avoid potential electric shocks and to ensure reliable starting.
 - Check all connections to be sure they are tight and correct.
- This fixture is designed for use in a circuit protected by an external fuse or circuit breaker. It is also designed to be installed in accordance with local electrical codes. If you are unsure about your wiring, consult a qualified electrician or local electrical inspector, and check your local electrical code. Suitable for wet locations.
- WARNING: RISK OF CUTS** - Some metal parts in the fixture may have sharp edges. To prevent cuts and scrapes, wear gloves when handling the parts.
- Account for small parts and properly dispose of packing material, as these may be hazardous to children.
- WARNING: RISK OF FIRE** - use AC 110-347V 50/60Hz circuits. Please obey fire prevention regulations, do not cover the fixture with any heat insulated materials.
- Use only CSA or cUL approved wire input/output connections.
- To prevent wiring damage or abrasion, do not expose wiring to edges of sheet metal or other sharp objects.
- Do not change the LED light source or driver inside under any circumstance.
- Inrush currents must be taken in account by the electricians to account for proper circuit design.
- Do not attempt to energize anything other than the fixture.
- Maintenance of the luminaires should be performed by person(s) familiar with the construction and any hazards involved. Regular fixture maintenance is recommended.
- The lighting product must be mounted in locations and at heights in compliance with the National Electrical Code and with local building codes. Installing contrary to instruction may cause unsafe conditions.
- It may be necessary to clean the retractor/lens. Frequency of cleaning will depend on ambient dirt level and minimum light output which is acceptable to the user. Retractor/lens should be washed in a solution of warm water and any mild, non-abrasive household detergent, rinsed with clean water and wiped dry. Should optical assembly become dirty on the inside, wipe retractor/lens and clean in above manner, replacing damaged gaskets as necessary.
- Call the U Technology technical support team about any installation questions.
- Do not install a damaged product. This luminaire has been properly packed so that no parts should have been damaged during transit. Inspect to confirm. Any part damaged or broken during or after assembly should be replaced.
- These instructions do no purport to cover all details or variations in equipment nor to provide every possible contingency to meet in connection with installation, operation or maintenance. Should further information be desired or particular problems arise not covered sufficiently for the purchaser's or owner's purposes, please contact the U Technology technical support team.

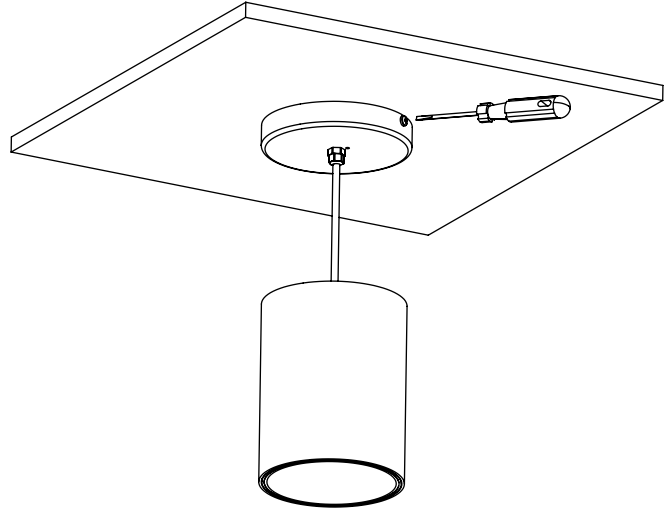
5 year limited warranty included



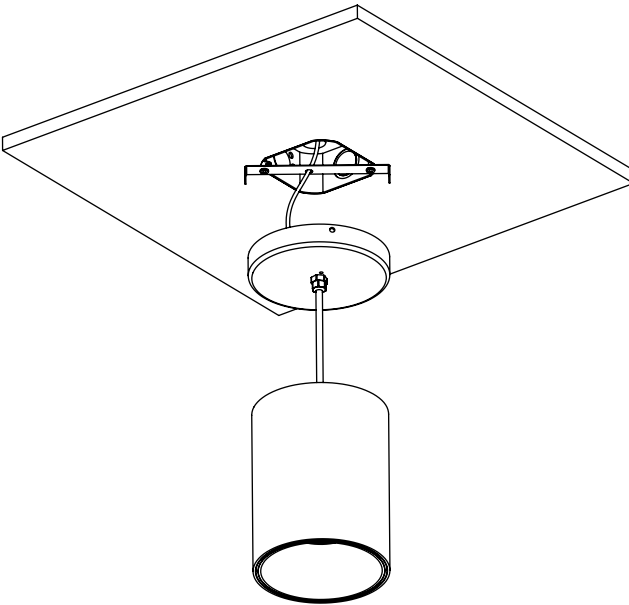
FIXTURE INSTALLATION:



1. Attach mounting plate to junction box using provided screws.



2. Adjust suspension cable/electrical cables to desired length.
3. Attach fall arrest safety cable to mounting plate.
4. Make electrical connections in junction box.
See wiring diagram on page 3



5. Slide canopy up to ceiling
6. Secure canopy and fixture to bracket using the provided screws.
7. Test functionality by restoring power to the fixture.

IMPORTANT NOTE:

This fixture is only compatible with a standard 4" octagonal junction box (not included).

RHYTHM SERIES

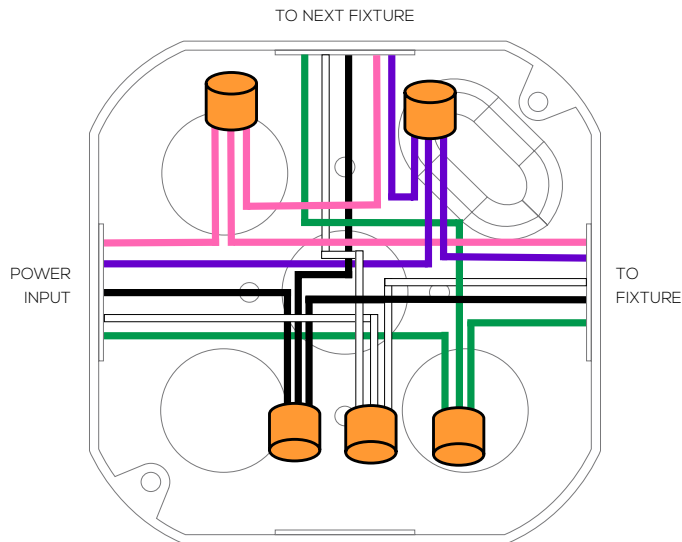
CYLINDERS - PENDANT MOUNT - INSTALLATION GUIDE

WIRING DIAGRAMS:

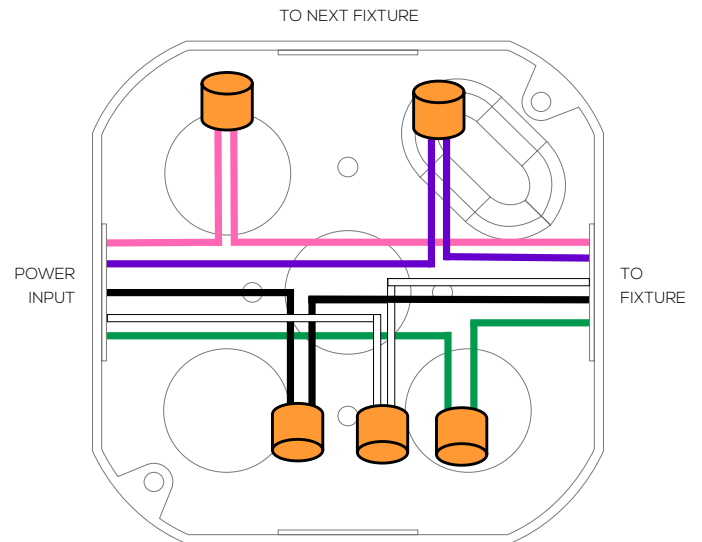
How to wire the Rhythm Series Cylinder (Pendant) in all configurations

WIRE COLOR CODE:

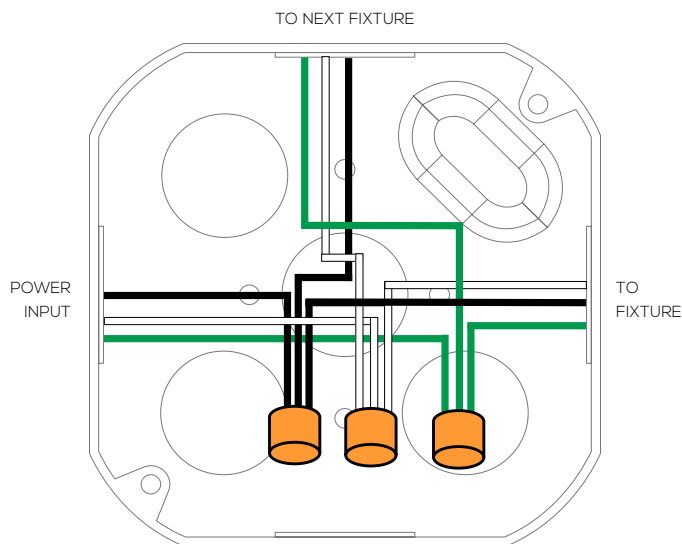
Color	Use
Green	Ground
Black	Line 120-277VAC
White	Neutral
Purple	+ 0-10V
Pink	- 0-10V



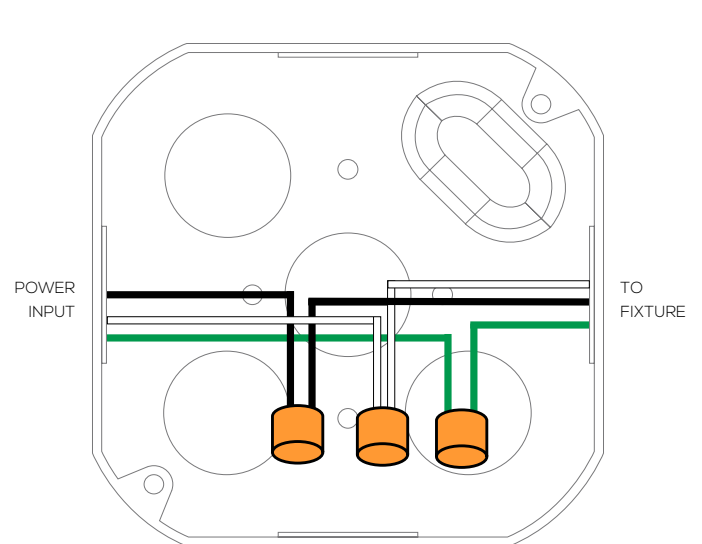
Star pattern or daisy-chain with 0-10V dimming



Single fixture or end-of-run with 0-10V dimming



Star pattern or daisy-chain with no dimming



Single fixture or end-of-run with no dimming