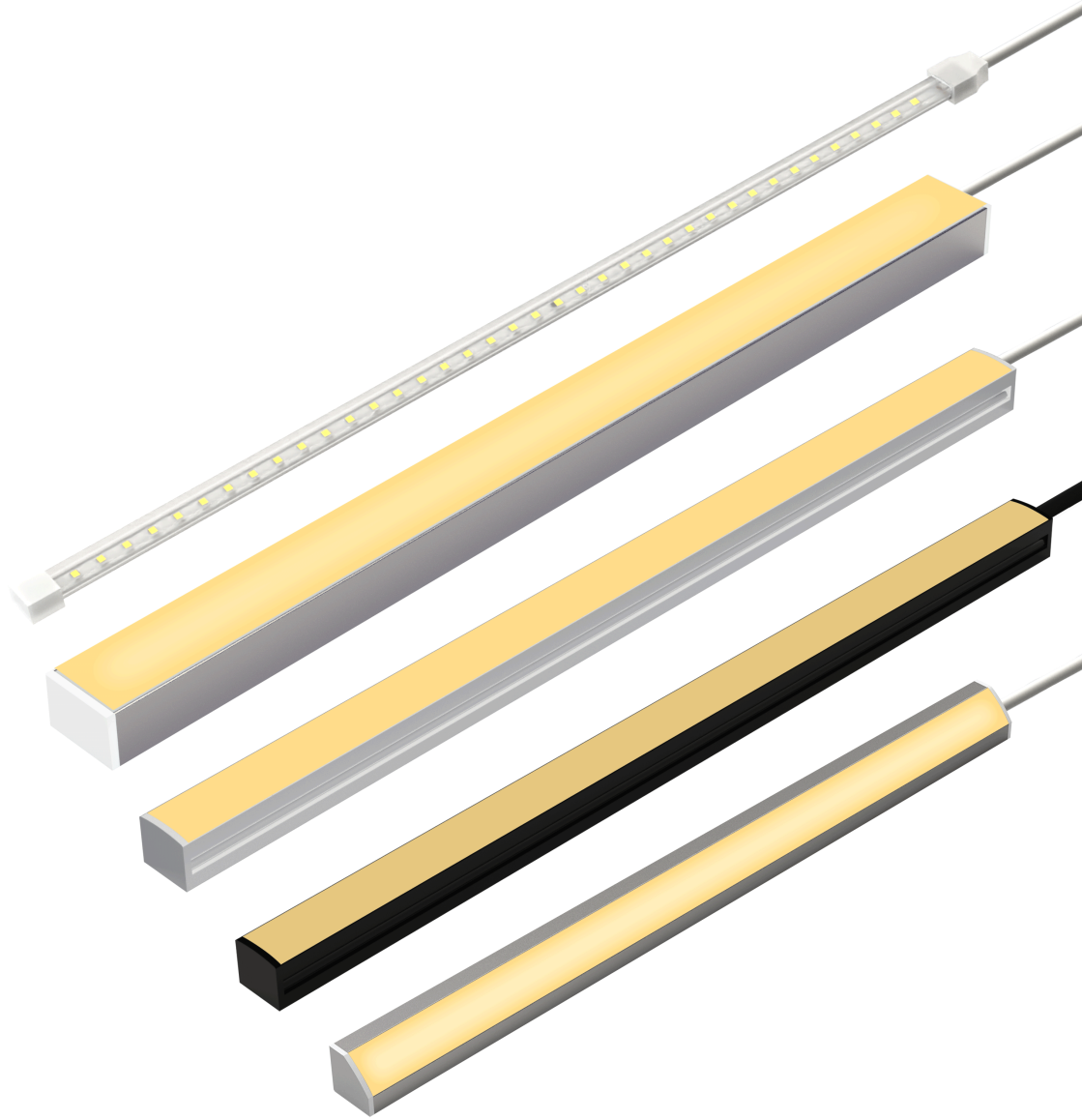




Engineered Lighting Solutions

ADVANCED AC DIRECT

Surface Solutions



SPECIFICATION



CUSTOM LENGTH



DIRECT AC



LONG DISTANCE



DIMMABLE



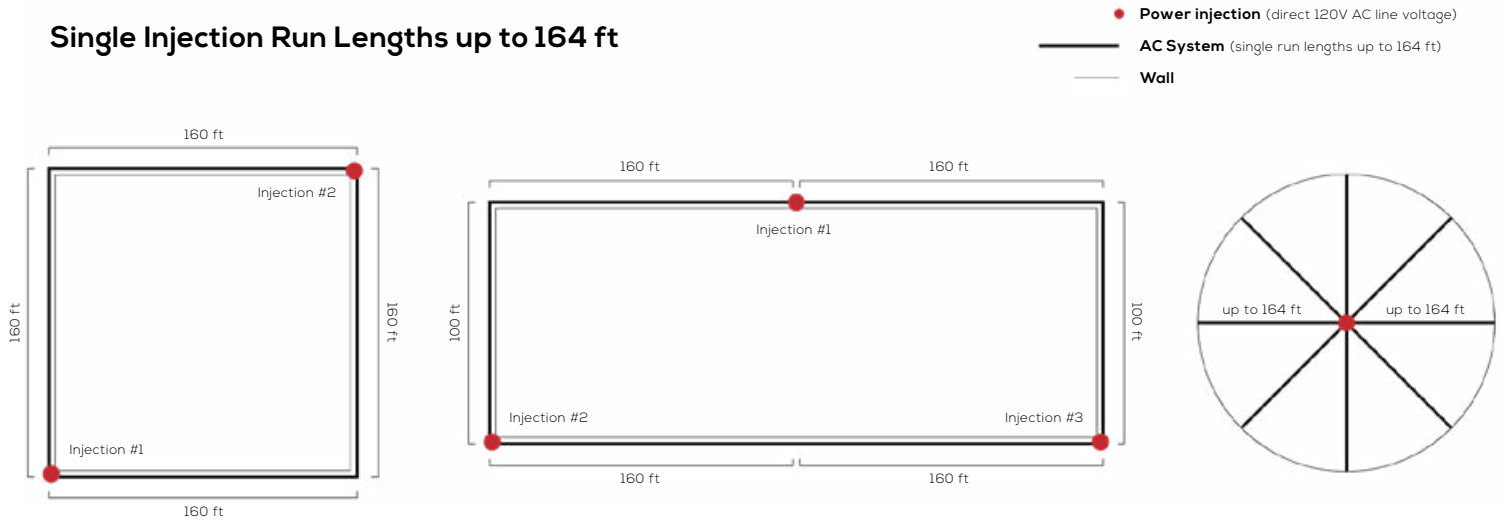
3 CCT OPTIONS

SURFACE ADVANCED DIRECT AC

FULLY-ASSEMBLED LINEAR FIXTURES | ARCHITECTURAL | DESIGN OPTIONS



Single Injection Run Lengths up to 164 ft



Endless Indoor/Outdoor Configuration Options



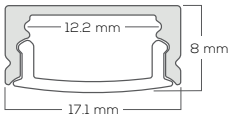
SURFACE SOLUTIONS - DIRECT AC

FULLY-ASSEMBLED LINEAR FIXTURES | ARCHITECTURAL | ORDER FORM



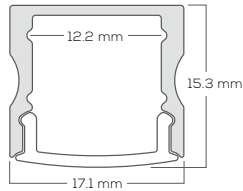
Slim

UT-PR-SL-8FT



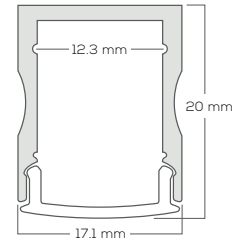
Standard

UT-PR-ST-8FT



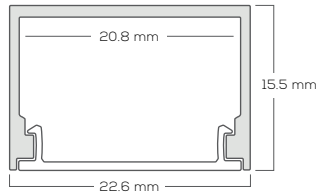
Standard Tall

UT-PR-ST20-8FT



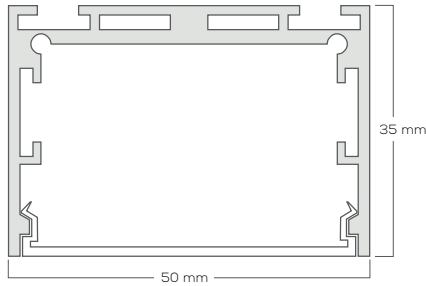
Standard Wide

UT-PR-STW-8FT



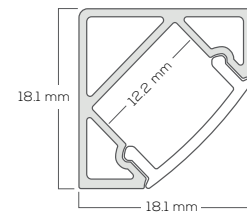
Standard LL

UT-PX-LL-8FT



Corner Flat

UT-PR-CF-8FT



PRODUCT SPECIFICATIONS:

Body Construction	Anodized aluminum Light-weight Corrosion-resistant Up to 8 ft sections
Lens Construction	Polycarbonate UV-resistant Impact-resistant Up to 8 ft sections
Standard Lens	120° beam angle Standard translucent full light diffusion Alternates available - see Table 1.0 for details
Fixture Weight (lbs/ft)	PR-SL: 0.09 PR-ST: 0.13 PR-ST20: 0.15 PR-STW: 0.19 PX-LL: 0.55 PR-CF: 0.15
Trim Finish	● Brushed Silver Aluminum (SL) ● Black (BK) Blend Series ○ White (WH) Blend Series
Installation	🛒 Surface mount with U Technology standard mounting clips
Accessories	End caps with holes (EC-H) End caps - no holes (EC-NH) Mounting clips (MC) - see Table 3.0 for details
Other Mounting Options	Self-tapping screws Double-sided tape / Adhesive (always use best practices)
Fixture Rating	UV and corrosion-resistant Impact-resistant Suitable from -40 to +40°C
Input Voltage	120 VAC
CRI	+82
Certification	cETL to CSA & UL Standards Class 2
Fixture Warranty	5 years* when installed with U Technology LED light engines and power supplies

* Must meet U Technology Terms and Conditions / All dimensions above are approximate, please acquire product sample(s) for precise sizing and measurements / To compare models and optimize your design, please visit utechnology.ca

SURFACE SOLUTIONS - DIRECT AC

FULLY-ASSEMBLED LINEAR FIXTURES | ARCHITECTURAL | ORDER FORM



Part #*:	
Project Name:	Fixture Lengths:
Quantity:	Type:

**To use automatically generated Part#: Highlight - Copy - Paste*

ALUMINUM HOUSING OPTIONS

1. Model	UT-PR-SL UT-PR-STW	UT-PR-ST UT-PX-LL	UT-PR-ST20 UT-PR-CF
2. Trim Finish	SL: Brushed Silver	BK: Black (Blend)	WH: White (Blend)
3. Lens/Optics *	SD: Standard (Translucent) HD: High Diffusion (White)	CL: Clear (Transparent) PB: Stealth (Black)	FB: 30° Focus Beam (Wall Wash) FX: Flex (Bendable)

EXCEPTIONS: PR-STW, PX-LL - only SD, PB, FX lens options available, BK and WH finish options available

** See Table 1.0 and 2.0 for lens details and LED diffusion information*

LIGHT ENGINE OPTIONS

- PR-STW and PRGX-LL can house multiple light engines to increase source Lm/ft

MONO-COLOR - DIRECT AC LIGHT ENGINE (PART #: UT-FLAC-120-120V)

4. CCT	30K: 3000K	35K: 3500K	40K: 4000K	Custom:
5. Source Lumens	300 Lm/ft	600 Lm/ft*		

** Can be used with PX-LL trim only*

FINAL DETAILS

6. IP Rating	IP66: Wet location		
7. Fixture Type	Complete Fixture	Simple Fixture	
8. Wire Configuration	FRONT - 1 end	FRONT - 2 end	<i>See Table 4.0 for details</i>
9. Wire Type	HW: Hardwire		

Complete Fixture: Includes LED light engine, mounting groove, aluminum housing and lens

Simple Fixture: Includes LED light engine and simple mounting clips



UT-FLAC-120-120V come with 2 prong AC plug connection unless otherwise requested.

Please follow U Technology best practices, provided wiring diagrams and local electrical codes.

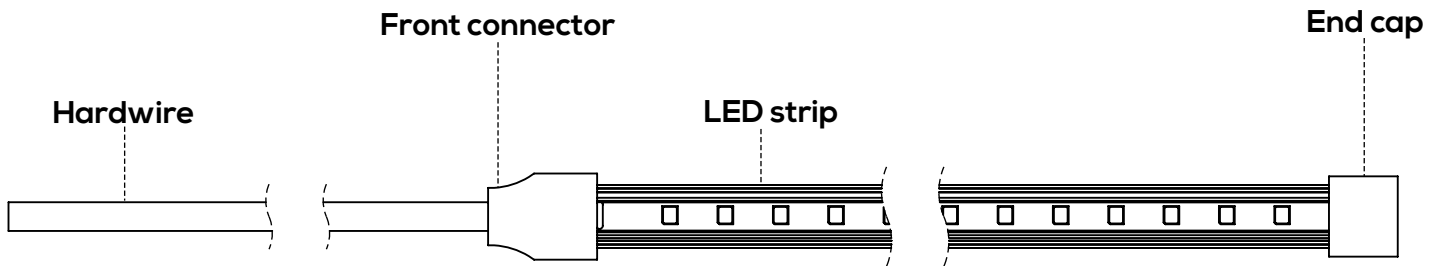
Contact your U Technology representative to order and/or to assist with project design(s).

SURFACE SOLUTIONS - DIRECT AC

FULLY-ASSEMBLED LINEAR FIXTURES | ARCHITECTURAL | UT-FLAC-120-120V SPECIFICATIONS



The UT-FLAC Direct AC LED Light Engine a premium architectural product where functionality meets the toughest demands for long run lengths. It is powered by 120V AC line voltage, which eliminates the need for power supplies, and boasts a maximum run length of 164 ft with a single-injection power source.



PRODUCT SPECIFICATIONS

Operating Voltage	120V AC 60 Hz	Available CCT	3000K 3500K 4000K Custom
Watts per Foot	3.0 W/ft	CRI	+82
Delivered Lumens (without additional lensing)	300 Lm/ft	Connection Types	Hardwire
LEDs per Meter	120	Dimming Levels	~1-10% dimmer dependent
Cut Distance	~4 inches (100 mm)	IP Rating	IP66 (Wet location)
Dimensions	Flex tape: W: 0.43 x H: 0.20 in. End caps: L: 0.50 x W 0.57 in.	Expected Life	+50,000 hrs
LED Selection	3-Step MacAdam Ellipse	Mounting	Mounting clips
Max Length	164 ft (single-injection)	Certification	cETL, CE, RoHS
Temperature Rating	-40°C to +40°C	Warranty	5 years*

* Must meet U Technology Terms and Conditions







All dimensions above are approximate, please acquire product sample(s) for precise sizing and measurements

SURFACE SOLUTIONS - DIRECT AC

U CUSTOM - LINEAR LED FIXTURES | ARCHITECTURAL | LENS DETAILS



TABLE 1.0 - OPTICS SPECIFICATIONS

Lens	Color	Diffusion Multiplier	CCT Shift (Kelvin)*	Application
 Standard (SD)	○ Translucent	0.8	-100K	Most common lens: standard full light diffusion.
 High Diffusion (HD)	○ White	0.5	-200K	Provides soft lighting. White stealth housing and optics blend easily into light colored surroundings.
 Stealth (PB)	● Black	0.2	-300K	Provides soft lighting. Black stealth housing and optics blend easily into dark colored surroundings.
 Clear (CL)	○ Transparent	1.0	0K	Light diffusion is not required. Provides protection and maximum light output
 30° Focus Beam (FB)	○ Transparent	1.0	0K	Light diffusion is not required. Excellent for wall wash applications.
 Flex (FX)	○ Translucent	0.7	-100K	Flex bendable lens, continuous long run application.

Example: 300 Lm/ft with a Standard (SD) lens is $300 \times 0.8 = 240$ delivered Lm/ft | * Based on 3000K, 300 Lm/Ft

TABLE 2.0 - OPTICS DIFFUSION

Light Engine	Aluminum Housing					
	LL	ST20	ST	STW	CF	SL
FLAC-120-120V	Dot-free (Direct Application) SD, HD, PB, FX lenses				Indirect Application	

Dot-Free (Direct Application) - Definition: The fixture will be dot-free when the lens is viewed from a direct line of sight. Lighting applications include general area lighting, mood lighting, and near highly reflective surfaces.



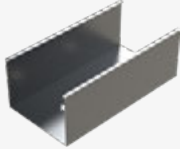
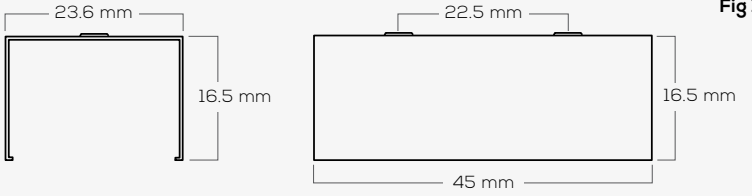

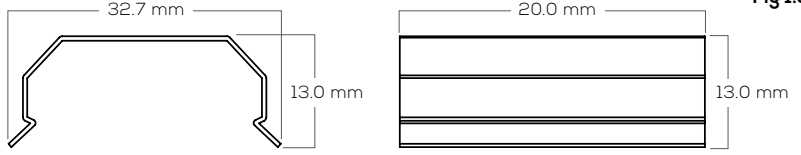


Indirect Application - Definition: The fixture will be dot-free when the lens is not viewed from a direct line of sight. Lighting applications include coves, back lighting, toe-kicks and much more. Excludes near highly reflective surfaces.

SURFACE SOLUTIONS - DIRECT AC

U CUSTOM - LINEAR LED FIXTURES | ARCHITECTURAL | MOUNTING CLIPS



TABLE 3.0 - STAINLESS STEEL MOUNTING CLIPS

Fixture Type	Hold Strength	Model	Dimensions
UT-PR-SL UT-PR-ST UT-PR-ST20	10 x rated fixture weight		 <p>Fig 1.1</p>
UT-PR-STW	10 x rated fixture weight		 <p>Fig 1.2</p>
UT-PR-LL	10 x rated fixture weight		 <p>Fig 1.3</p>
UT-PR-CF	10 x rated fixture weight		 <p>Fig 1.4</p>

End caps are included for all fixtures | One mounting clip every 1 ft is recommended

SURFACE SOLUTIONS - DIRECT AC

FULLY-ASSEMBLED LINEAR FIXTURES | ARCHITECTURAL | Wiring and accessories



TABLE 4.0 - WIRE CONFIGURATION OPTIONS

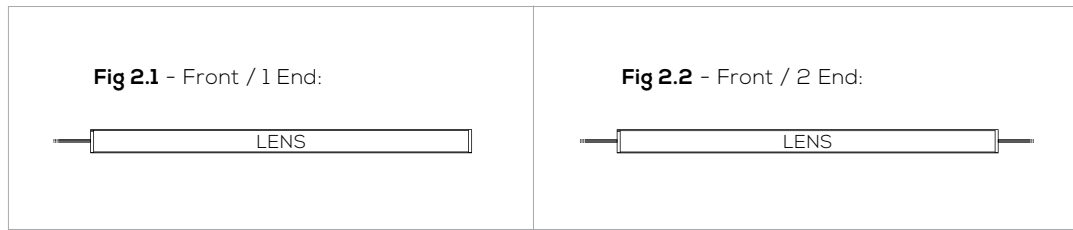


TABLE 5.0 - CABLES AND CONNECTORS



Connector	Description	Model	Dimensions	Part #
	Default connection: Connect driver to fixture or to connect one fixture to another via bare-wire to bare-wire standard connection per local electrical code requirements	2 wire Mono	18 AWG - 20 in	UT-Wire-18AWG-BW-SI
	Standard NA 2 prong plug-in for samples or dry conditions	AC Power cord plug	18 AWG - 20 in	UT-FLAC-120-PLUG

TABLE 6.0 - WIRE COLOR CODE

LED Type	Color Code	Wire
MONO DIRECT AC	+ Black Line Voltage - White Neutral	