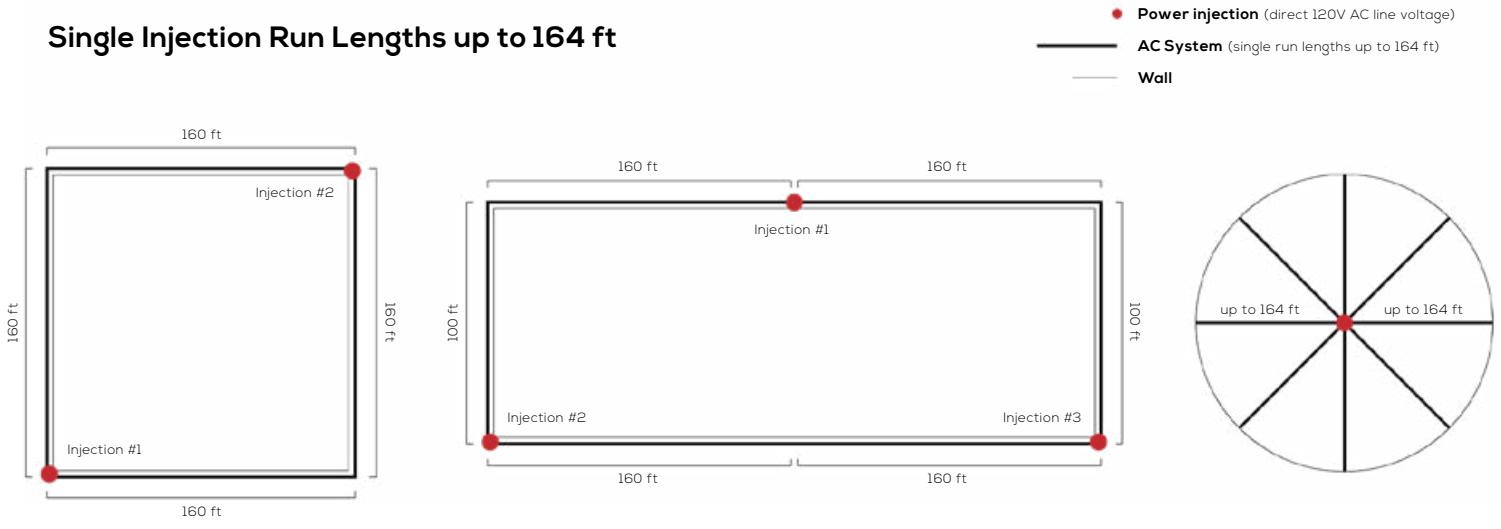


SURFACE SOLUTIONS - DIRECT AC

FULLY-ASSEMBLED LINEAR FIXTURES | ARCHITECTURAL | DESIGN OPTIONS



Single Injection Run Lengths up to 164 ft



Endless Indoor/Outdoor Configuration Options



SURFACE SOLUTIONS - DIRECT AC

FULLY-ASSEMBLED LINEAR FIXTURES | ARCHITECTURAL | ORDER FORM



Project Name										
Fixture Lengths					Quantities				Type	
Fixture Part #	1	2	3	4	5	6	7	8	9	

ALUMINUM HOUSING OPTIONS

1. Model	UT-PR-STW	UT-PRGX-LL
2. Trim Finish	<input type="radio"/> SL: Brushed Silver <input type="radio"/> BK: Black	<input type="radio"/> WH: White <input type="radio"/> BK: Black
3. Lens/Optics*	SD: Standard (Translucent)	

* See Table 1.0 and 2.0 for lens details and LED diffusion information

LIGHT ENGINE OPTIONS

MONO-COLOR - DIRECT AC LIGHT ENGINE (PART #: UT-FLAC-100-120V)

4. CCT	<input checked="" type="radio"/> 30K: 3000K <input type="radio"/> Custom (check for availability):
5. Source Lumens	190 Lm/ft <input type="radio"/> 380 Lm/ft* <input type="radio"/>

* Only apply with PRGX-LL Housing

FINAL DETAILS

6. IP Rating	IP65: Wet location	
7. Fixture Type	Complete Fixture	Simple Fixture
8. Wire Configuration	FRONT - 1 end	FRONT - 2 end <i>See Table 4.0 for details</i>
9. Wire Type	PW: Plug-end	HW: Hardwire

Complete Fixture: Includes LED light engine, mounting groove, aluminum housing and lens

Simple Fixture: Includes LED light engine and simple mounting clips



UT-FLAC-100-120V come with 2 prong AC plug connection unless otherwise requested.

Please follow U Technology best practices, provided wiring diagrams and local electrical codes.

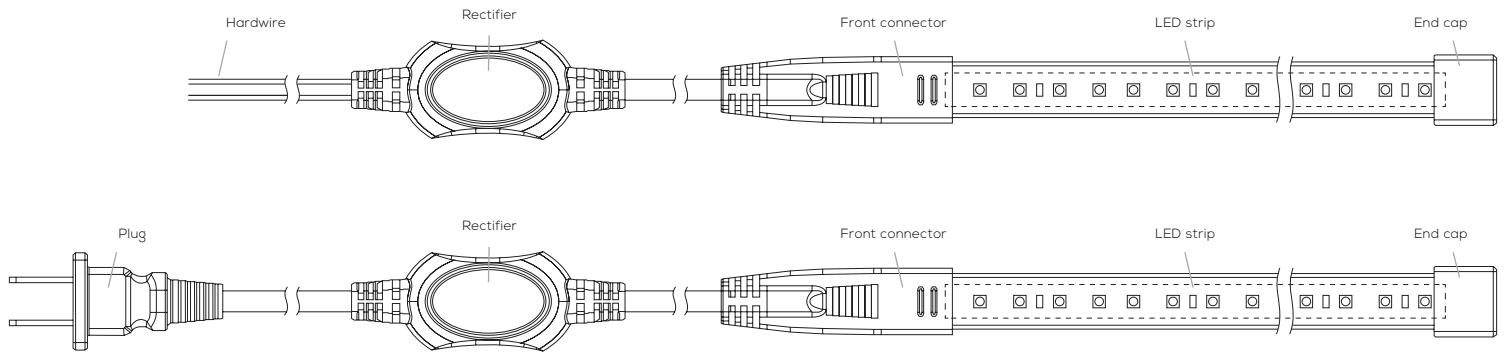
Contact your U Technology representative to order and/or to assist with project design(s).

SURFACE SOLUTIONS - DIRECT AC

FULLY-ASSEMBLED LINEAR FIXTURES | ARCHITECTURAL | UT-FLAC-100-120V SPECIFICATIONS



The UT-FLAC Direct AC LED Light Engine a premium architectural product where functionality meets the toughest demands for long run lengths. It is powered by 120V AC line voltage, which eliminates the need for power supplies, and boasts a maximum run length of 164 ft with a single-injection power source.



PRODUCT SPECIFICATIONS

Operating Voltage	120V AC 60 Hz	Available CCT	3000K
Watts per Foot	2.5 W/ft	CRI	+82
Delivered Lumens	190 Lm/ft	Connection Types	AC power plug (3-prong), Hardwire
LEDs per Meter	100	Dimming Levels	~1%
Cut Distance	~20 inches (500 mm)	IP Rating	IP65 (Wet location)
Dimensions	Flex tape: W: 5/8 x H: 5/16 in. End caps: L: 3/4 x W 1/2 in. Rectifier: L: 3-1/2 x W: 1-1/4 x H: 3/4 in.	Expected Life	+50,000 hrs
LED Selection	3-Step MacAdam Ellipse	Mounting	Mounting clips
Max Length	164 ft (single-injection)	Certification	cETL, CE, RoHS
Temperature Rating	-40°C to +40°C	Warranty	5 years*

* Must meet U Technology Terms and Conditions

All dimensions above are approximate, please acquire product sample(s) for precise sizing and measurements

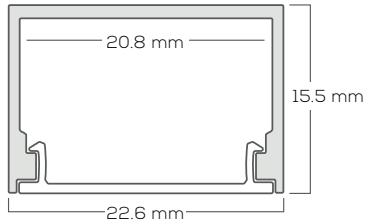
SURFACE SOLUTIONS - DIRECT AC

FULLY-ASSEMBLED LINEAR FIXTURES | ARCHITECTURAL | SPECIFICATIONS



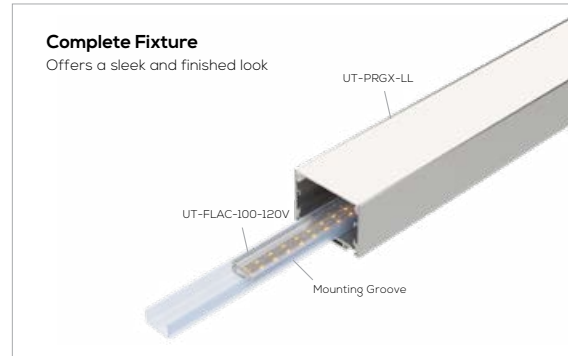
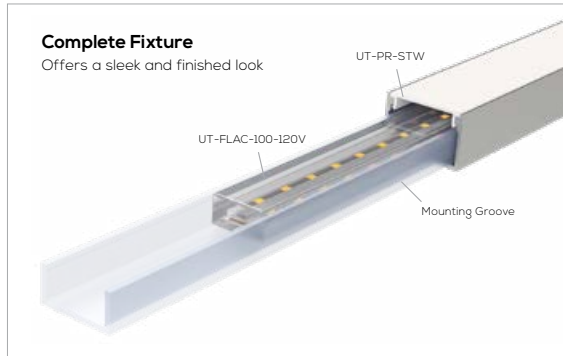
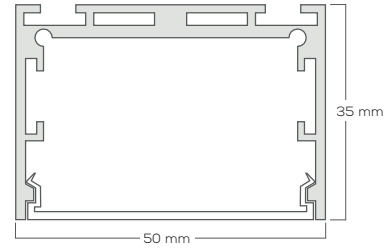
Standard Wide

PART #: UT-PR-STW-8FT



Standard LL

PART #: UT-PRGX-LL-8FT



PRODUCT SPECIFICATIONS:

Body Construction	Anodized aluminum Light-weight Corrosion-resistant Up to 8 ft sections
Lens Construction	Polycarbonate UV-resistant Impact-resistant Up to 8 ft sections
Standard Lens	120° beam angle Standard translucent full light diffusion Alternates available - see Table 1.0 for details
Aluminum Housing Weight	PR-STW: 0.19 lbs/ft PRGX-LL: 0.55 lbs/ft
Trim Finish	● Brushed Silver Aluminum (SL) ● Black (BK) Blend Series ○ White (WH) Blend Series
Installation	Ⓜ Surface mount with U Technology standard mounting clips
Accessories	End caps - no holes (EC-NH) Mounting clips (MC) - see Table 3.0 for details
Other Mounting Options	Self-tapping screws Double-sided tape / Adhesive (always use best practices)
Fixture Rating	UV and corrosion-resistant Impact-resistant Suitable from -40 to +40°C
Input Voltage	120V DC
CRI	+82
Certification	CSA to cETLus Standards
Fixture Warranty	5 years*

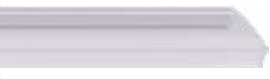

* Must meet U Technology Terms and Conditions / All dimensions above are approximate, please acquire product sample(s) for precise sizing and measurements / To compare models and optimize your design, please visit utechnology.ca

SURFACE SOLUTIONS - DIRECT AC

FULLY-ASSEMBLED LINEAR FIXTURES | ARCHITECTURAL | LENS DETAILS



TABLE 1.0 - OPTICS SPECIFICATIONS

Lens	Color	Diffusion Multiplier	CCT Shift (Kelvin)*	Application
 Standard (SD)	 Translucent	0.8	±100K	Standard, (visible pixellation) Pixel blending sufficient for building exteriors and indirect locations such as cove lighting

Example: 300 Lm/ft with a Standard (SD) lens is $300 \times 0.8 = 240$ delivered Lm/ft | * Based on 3000K, 300 Lm/Ft

TABLE 2.0 - OPTICS DIFFUSION


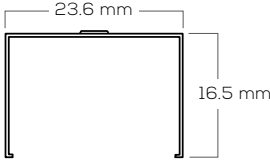
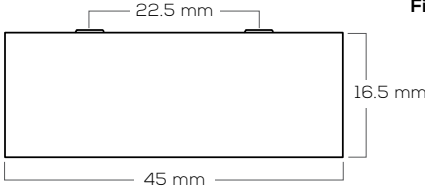

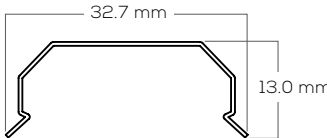
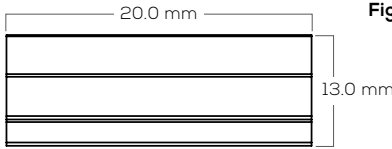
Light Engine	Aluminum Housing	
	STW	LL
FLAC-100-120V	Indirect Application	Indirect application
FLAC-100-120V	Near Dot-free (Direct Application)	Dot-Free (Direct Application)

Near Dot-Free (Direct Application) - Definition: The fixture will be dot-free when the lens is viewed from a direct line of sight in a distance. Lighting applications include elevated building exteriors.

Dot-Free (Direct Application) - Definition: The fixture will be dot-free when the lens is viewed from a direct line of sight. Lighting applications include elevated general area lighting, mood lighting, and near highly reflective surfaces.

Indirect Application - Definition: The fixture will be dot-free when the lens is not viewed from a direct line of sight. Lighting applications include coves, back lighting, toe-kicks and much more. Excludes near highly reflective surfaces.

TABLE 3.0 - STAINLESS STEEL MOUNTING CLIPS

Fixture Type	Hold Strength	Model	Dimensions	
UT-PR-STW	10 x rated fixture weight			 Fig 1.2
UT-PRGX-LL	10 x rated fixture weight			 Fig 1.3

End caps and mounting grooves are included for Complete Fixtures | One mounting clip every 1 ft is recommended

SURFACE SOLUTIONS - DIRECT AC

FULLY-ASSEMBLED LINEAR FIXTURES | ARCHITECTURAL | MOUNTING CLIPS



TABLE 4.0 - WIRE CONFIGURATION OPTIONS

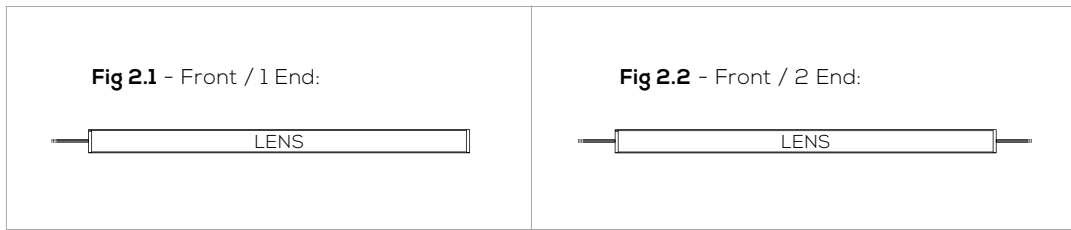


TABLE 5.0 - CABLES AND CONNECTORS




Connector	Description	Model	Dimensions	Part #
 <p>Power Input Male/Bare wire</p>	Connect line to a fixture via bare-wire standard connection per local electrical code requirement	2 wire Mono	18 AWG - 40 in	UT-FLAC-FL2BW
 <p>Power Input Male/Male Plug IP65</p>	Default connection: Connect AC Power into a fixture	2 wire Mono	18 AWG - 20 in	UT-FLAC-PLUG
 <p>Power Output/Input Male/Male IP64</p>	Connect a fixture AC output to another	2 wire Mono	18 AWG - 8 in	UT-FLAC-FLWFL

TABLE 6.0 - WIRE COLOR CODE

LED Type	Color Code	Wire
MONO DIRECT AC	+ BROWN Line Voltage - BLUE Neutral	