



## LED Mini Step Light



**GENERAL:** All electrical connections must be in accordance with local and National Electrical Code (N.E.C.) standards. If you are unfamiliar with proper electrical wiring connections, contact and obtain the services of a qualified electrician. Use UL or IEC approved wire only for input/output connections.

Remove fixture and mounting components from the box, and make sure that no parts are missing, by referencing the illustration in the instructions.

**DIMMING:** This product is compatible with most common residential type dimmers. Dimming performance will depend upon dimmer, dimmer settings (dimmers with adjustments to brightness range), wiring method, and number of LED modules. For best results, set dimmer position at maximum before adjusting to a lower light level.

Turn power off before installation, inspection, or removal.  
Use all necessary precautions while performing this procedure.

Consult a qualified electrician to ensure correct branch circuit conductor. Min 90°C supply conductors.

Properly ground electrical enclosure.

IT IS IMPERATIVE THAT THE OUTLET BOX BE PROPERLY GROUNDED.

**DO NOT REVERSE THE HOT AND NEUTRAL CONNECTIONS, OTHERWISE SAFETY WILL BE COMPROMISED.**

This Integrated LED Fixture has no lamp/bulb to replace.

MAKE SURE THAT YOU SELECT THE CORRECT CCT BEFORE YOU PUT ON THE COVER, IT IS DIFFICULT TO OPEN THE FACE COVER ONCE IT HAS BEEN AFFIXED.

**DO NOT:**  
-SUBMERGE THE LIGHT BODY IN WATER  
-INSTALL IN AN AREA WITH HIGH, SALTY MOISTURE, OR CORROSIVE ENVIRONMENT

THE DEVICE IS NOT DESIGNED FOR THESE PURPOSES. FAILURE TO FOLLOW THESE INSTRUCTIONS WILL LEAD TO REDUCED DEVICE LIFE AND INCREASED CORROSION.



### TROUBLESHOOTING

- Check that line voltage at fixture is 120V AC.
- Ensure that there is power at fixture connection location.
- If there is no voltage, then check all connections.
- Check that fixture is grounded properly.

If fixture does not light:

- Check switch to ensure that there are no defects.
- Check fuse/circuit breaker for trips, then check wiring connections



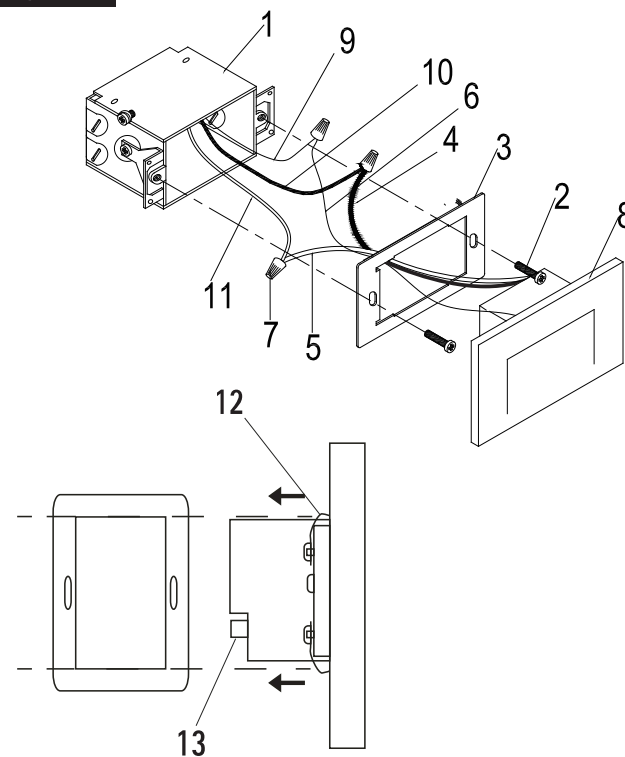
### CLEANING AND MAINTENANCE:

**CAUTION:** Ensure fixture temperature is cool enough to touch.  
DO NOT clean or perform maintenance while fixture is energized.

- Clean lens and fixture with non-abrasive cleaning solution.
- Do not open fixture to clean LED. Do not touch the LED.
- Do not spray liquid directly on to LED, LED driver or wiring.



Figure 1



- |                                |  |
|--------------------------------|--|
| <b>1. OUTLET BOX(EXCLUDED)</b> | <b>8. LIGHT BODY INTERGRATED WITH FACE COVER</b> |
| <b>2. FIXTURE SCREWS*</b>      | <b>9. HOUSE GROUND WIRE</b>                      |
| <b>3. MOUNTING BRACKET</b>     | <b>10. LIVE WIRE</b>                             |
| <b>4. BLACK FIXTURE WIRE</b>   | <b>11. NEUTRAL WIRE</b>                          |
| <b>5. WHITE FIXTURE WIRE</b>   | <b>12. SPRING CLIP</b>                           |
| <b>6. FIXTURE GROUND WIRE</b>  | <b>13. 5 CCT SWITCH</b>                          |
| <b>7. WIRE NUTS</b>            |  |

### Installation Steps

1. Fix the Mounting Bracket(3) to the OUTLET BOX(1) with attached FIXTURE SCREW(2)
2. Pull the supply wires out from the OUTLET BOX(1). Identify the live wire, neutral wire and ground wire (if you are unsure, please consult a qualified electrician to install the fixture), then Connect the LIVE WIRE (10) with BLACK WIRE(4), NEUTRAL WIRE(11) with WHITE WIRE(5), and GROUND WIRE(9) with GROUND WIRE (6) using the WIRE NUTS (7) provided. Please make sure that all the wires have a solid connection, then seal wire nuts with silicone to ensure stable long-term performance.
3. Select the CCT from 3000K/3500K/4000K by pushing the toggle switch left or right.

**WARNING:** Check the CCT at this stage by powering on the fixture. Once the CCT has been confirmed, power off fixture. Selecting CCT after this stage can be difficult and possibly lead to damage of the LIGHT BODY (8) or SPRING CLIP (12) if trying to remove from MOUNTING BRACKET (3).

4. Check that the MOUNTING BRACKET (3) is fixed flat on the OUTLET BOX (1) surface. Press the SPRING CLIP (12) evenly into the MOUNTING BRACKET (3) until all clips have a good connection with MOUNTING BRACKET (3)'s edge.

5. Install Complete.

**For Outdoor Application:** Caulk the connection area between face cover and wall with outdoor rated sealant for stable performance.

**Application:** Can be installed indoors and outdoors. LED chip is coated with waterproof paint, while CCT switch and LED driver are potted with heat sink compound. This fixture can be installed in different outlet box materials, such as plastic, steel, aluminum, or concrete. Also suitable for high moisture environments or high temperature applications (not exceeding 50°C). Not designed to be submerged in water; product may fail and warranty will be void.

This device complies with Part 15 of the FCC Rules.

Operation is subject to the following two conditions:

1. This device may not cause harmful interference
2. This device must accept any interference received, including interference that may cause undesired operation.